


1. SAFETY RULES

- This Instrument is designed for indoor use at temperatures between 0°C to 40°C and altitudes up to 2,000m.
- To ensure that the instrument is used safely, follow all safety and operating instructions in this operation manual. If the instrument is not used as described in this operation manual, the safety features of this device might be impaired.
- To avoid personal injuries and damage to the instrument use extreme caution when working around hot machine or engine parts, like radiators, exhaust manifolds, catalytic converters, etc.

2. INTERNATIONAL SYMBOLS

 **Important information** refer to the User's Manual



CAUTION: Laser Radiation
AVOID DIRECT EYE EXPOSURE
1mW Output at 675nm
Class II Laser Product

3. TECHNICAL SPECIFICATIONS

3.1 General Specifications

- Display:** 3 digits LCD, max. of 999 display with measuring units indicators, Laser On indicator and backlight
- Resolution:** 1°C (1°F)
- Operating Temperature:** 32°F to 122°F (10°C to 52°C)
- Response time:** 1 second (approx.)
- Target Size/ Field of View:** 8:1 optics ratio with a 1" min. target
- Repeatability:** 0.5% of reading, plus one digit
- Emissivity:** Fixed at 0.95
- Laser Pointer:** Laser Diode, < 1mW output at 675nm
- Power Source:** 9-volt battery type NEDA 1604, IEC6F22
- Battery life:** Approx. 20 hours.(w/alkaline batteries)
- Power Saving:** Automatic shut off after 6 seconds
- Wavelength:** 8 to 14 micron
- Dimensions:** 6.7" x 1.7" x 1.6" (17 x 44 x 4 cm)
- Weight:** 5 oz. (140 g) with battery.
- Accessories:** User's Manual, Soft Pouch, Hand strap and 9 V alkaline battery

3.2 Measurement Specifications

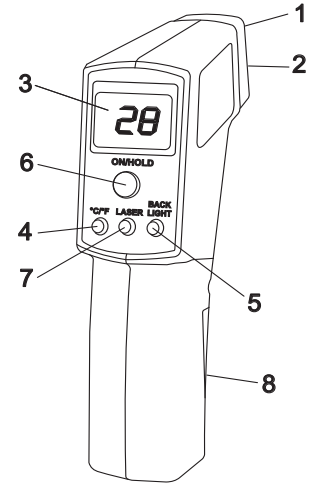
- Accuracies are \pm (% of reading + number of least significant digits) at 23°C \pm 5°C ambient temperature, with less than 75% RH.

Function	Range	Accuracy	Distance to target to field of view ratio
Temperature °C	6°C to 85°C	2.0%+2	8:1
	-20°C to 426°C	3.0%+3	
Temperature °F	68°F to 212°F	2.0%+2	
	-4°F to 800°F	3.0%+3	

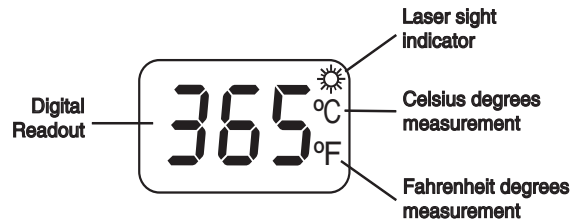
4. OPERATION

4.1 Instrument Description

- 1) Laser pointer output
- 2) IR Sensor
- 3) LCD Display
- 4) °C/°F Button
- 5) Backlight ON/OFF Button
- 6) ON/HOLD Button
- 7) LASER ON/OFF Button
- 8) Battery compartment cover

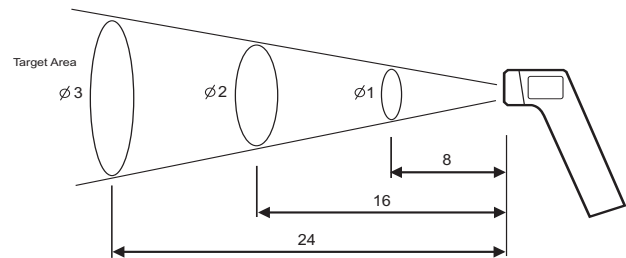


4.2 Display Description



4.3 Measurement Procedures

4.3.1 Field of view or measurement target area



4.3.2 Temperature Measurement

- Point the IR Sensor to the area or object to measure, and press the "ON/HOLD".
- While the "ON/HOLD" button is kept pressed, the LT800 is continuously measuring the temperature of the object pointed at, with the IR Sensor.
- When the "ON/HOLD" button is released the instrument will hold the last temperature reading for 6 seconds, and then shut off automatically.

4.3.3 Selecting Temperature Units (°C/°F).

- Make sure the the instrument is turn ON, if not press the "ON/OFF" button.
- Pressing the "°C/°F" button, will alternate the measuring units, with the selected measurement unit shown on the display.

4.4 Other Functions

4.4.1 Display Hold

- The instrument will automatically hold the last temperature reading after the “**ON/HOLD**” button has been released for approx. 6 sec..

4.4.2 Display Backlight

- Make sure the the instrument is turn ON, if not press the “**ON/OFF**” button.
- Pressing the “**BACK LIGHT**” button, will alternatibly turn ON and OFF the display backlight.
- When the backlight is not necessary turn it off, in order to prolong the battery life.

4.4.3 Laser Pointer

▲ CAUTION: Laser Radiation is emitted - Avoid direct eye contact

- To turn the laser sight ON or OFF, press the “**LASER**” button, while pressing on the “**ON/HOLD**”. The laser sight indicator will appear on the display when the laser sight turn ON.

5. MAINTENANCE

5.1 Battery Replacement

- To replace the battery, remove the battery cover in the front of the handle by sliding it down, and remove the battery.
- Replace with a new 9 V alkaline battery type NEDA 1604 or IEC6F22 observing the proper polarity when connection to the battery terminals.
- Reinstall the battery cover.

5.2 Cleaning

5.2.1 Lens cleaning

Debris or dirt on the lens may cause obstruction and reduce the accuracy of the thermometer. If this occurs, either wipe the lens with a Q-tip (moistened with water only) or blow off the loose particles with clean compressed air. Do not use solvent on the lenses, as it may become damage.

5.2.2 Exterior cleaning

Periodically wipe the case with a soft damp cloth and mild household cleanser. Do not use abrasives or solvents. Ensure that no water gets inside the instrument to prevent possible shorts and damage.

6. WARRANTY

One year limited warranty, excluding batteries and fuses. For details see Standard Warranty Information in our webpage or request a printed copy.

General Technologies Corp.

#121 - 7350 72nd Street
Delta, BC
Canada V4G 1H9

Tel.: (604) 952-6699
Fax: (604) 952-6690
www.generaltechnologies.net